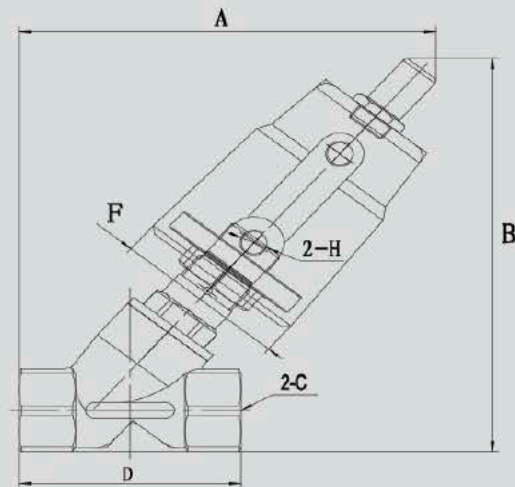


Angle seat valve

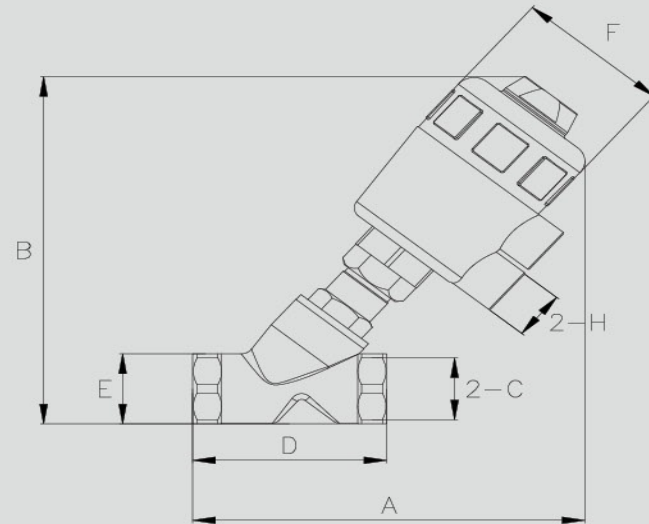


Model	Actuator size	A	B	C	D	E	F	H
RJQ2250-10	50	140	150	G3/8	69	27	60.5	G1/8
RJQ2250-15	50	140	150	G1/2	69	27	60.5	G1/8
RJQ2250-20	50	143	155	G3/4	75.5	32	60.5	G1/8
RJQ2250-25	50	163.5	176	G1	90	39	60.5	G1/8
RJQ2263-25	63	174.5	189.5	G1	90	39	77	G1/8
RJQ2263-32	63	190.5	207.5	G1-1/4	117	50	77	G1/8
RJQ2263-40	63	190.5	207.5	G1-1/2	117	55	77	G1/8
RJQ2263-50	63	219.5	232.5	G2	137	70	77	G1/4
RJQ2280-50	80	233	253	G2	137	70	98	G1/4
RJQ22100-65	100	270	290.5	G2-1/2	170	85	116	G1/4

Piston Valves - SS316



Angle seat valve



Model	Actuator size	A	B	C	D	E	F	H
RJQ22P50-10	50	148	158	G3/8	69	27	63	G1/4
RJQ22P50-15	50	148	158	G1/2	69	27	63	G1/4
RJQ22P50-20	50	151	162	G3/8	75	32	63	G1/4
RJQ22P50-25	50	173	184	G1	90	39	63	G1/4
RJQ22P63-25	63	198	210	G1	90	39	79	G1/4
RJQ22P63-32	63	215	229	G1-1/4	117	55	79	G1/4
RJQ22P63-40	63	215	229	G1-1/2	117	55	79	G1/4
RJQ22P63-50	63	238	251	G2	137	70	79	G1/4
RJQ22P80-50	80	255	263	G2	137	70	100	G1/4

Right angle valve

Classical design, durable
Air control design, energy saving and environmental protection
Big flow rate, safety and Precision



Ordering Code

R	Q	22	HD	-	□	-	□	-	□
RFS product	Right angle valve code	Two way two position	Air control liquid valve		Connection size 15 1/2" 20 3/4" 25 1" 40 1 1/2" 50 2"		S single acting type D double acting type K normally open		Material H high temperature type Blank normal type

Remark: Normally open: Flow comes under the piston seal, against arrow on body.