

AR Series Air Regulator



Order Code

AR 2000 - 02

| Series | Body Size | Port Size |
|--------|-----------|-----------|
| | 1000 | M5 M5 |
| | 2000 | 02 1/4" |
| | 3000 | 03 3/8" |
| | 4000 | 04 1/2" |
| | 5000 | 06 3/4" |
| | | 10 1" |

Symbol

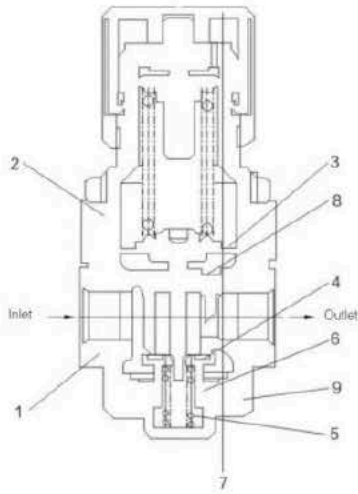


Technical Specification

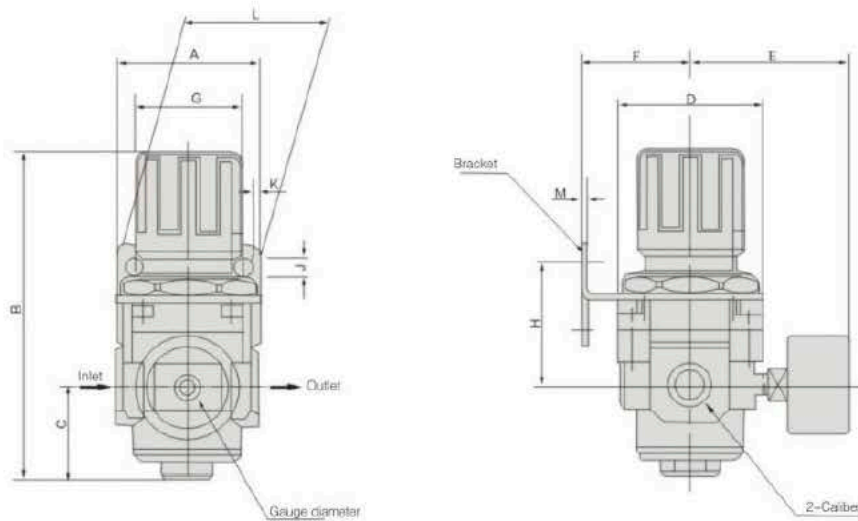
| | |
|-------------------------|--|
| Proof Pressure | 1.5Mpa 15bar , 217.5psi |
| Max. operating pressure | 1.0Mpa 10bar, 145psi |
| Ambient Temperature | 5~60°C(Not Frozen) |
| Range of Regulation | AR1000:0.05~0.7Mpa(7.25~101.5 psi) AR2000~5000:0.05~0.85Mpa(7.25~123 psi) |

| Model | Specifications | | |
|-----------|------------------|-----------------|---------------------------|
| | Max. Flow(L/min) | Port SizeRp(PT) | Pressure Gauge SizeRp(PT) |
| AR1000-M5 | 100 | M5 × 0.8 | 1/16 |
| AR2000-02 | 550 | 1/4 | 1/8 |
| AR3000-02 | 2500 | 1/4 | 1/8 |
| AR3000-03 | 2500 | 3/8 | 1/8 |
| AR4000-03 | 6000 | 3/8 | 1/4 |
| AR4000-04 | 6000 | 1/2 | 1/4 |
| AR4000-06 | 6000 | 3/4 | 1/4 |
| AR5000-06 | 8000 | 3/4 | 1/4 |
| AR5000-10 | 8000 | 1 | 1/4 |

Structure Charts



Dimension(mm)



| Model | Port Size | A | B | C | D | E | F | G | H | J | K | L | M | N |
|--------------|-----------|----|-------|------|----|------|----|------|------|-----|------|----|-----|------|
| AR1000-M5 | M5x0.8 | 25 | 58 | 12 | 25 | 33.5 | 25 | 28 | 27.5 | 4.5 | 6.5 | 40 | 1.8 | 18.5 |
| AR2000-01/02 | 1/8 · 1/4 | 40 | 92 | 17 | 40 | 53 | 33 | 33.5 | 43 | 5.5 | 15 | 55 | 1.8 | 33.5 |
| AR3000-02/03 | 1/4 · 3/8 | 53 | 123.5 | 35 | 53 | 54.5 | 41 | 36 | 46 | 6.5 | 11.5 | 54 | 1.8 | 42.5 |
| AR4000-03/04 | 3/8 · 1/2 | 70 | 145.5 | 37.5 | 70 | 60 | 49 | 53 | 52 | 8.5 | 10.5 | 70 | 1.8 | 52.5 |
| AR4000-06 | 3/4 | 75 | 150 | 38.5 | 70 | 66 | 49 | 53 | 56 | 8.5 | 10.5 | 70 | 1.8 | 52.5 |
| AR5000-06/10 | 3/4 · 1 | 90 | 165 | 48 | 90 | 70 | 49 | 53 | 62 | 8.5 | 10.5 | 70 | 1.8 | 52.5 |

 Air Source Treatment
 Control Components
 Auxiliary Components
 Executive Components
 Accessories