

# CHC Series Air Gripper



Symbol

Double acting



Single acting



## Specification

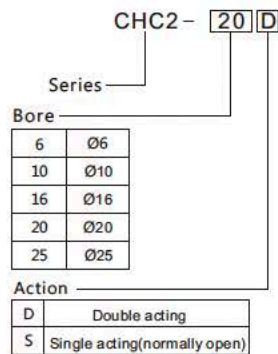
Bore		6	10	16	20	25
Fluid		Compressed air				
Pressure range MPa	Double acting	0.3~0.6		0.25~0.6		
	Single acting	0.15~0.6		0.1~0.6		
Ambient and fluid temperature		-10~60°C				
Max. operating frequency		180c.p.m				
Repeatability (mm)		±0.02		±0.01		
Lubrication		Non-lube				

Please use ISOVG32 oil if needed.

## Gripping force

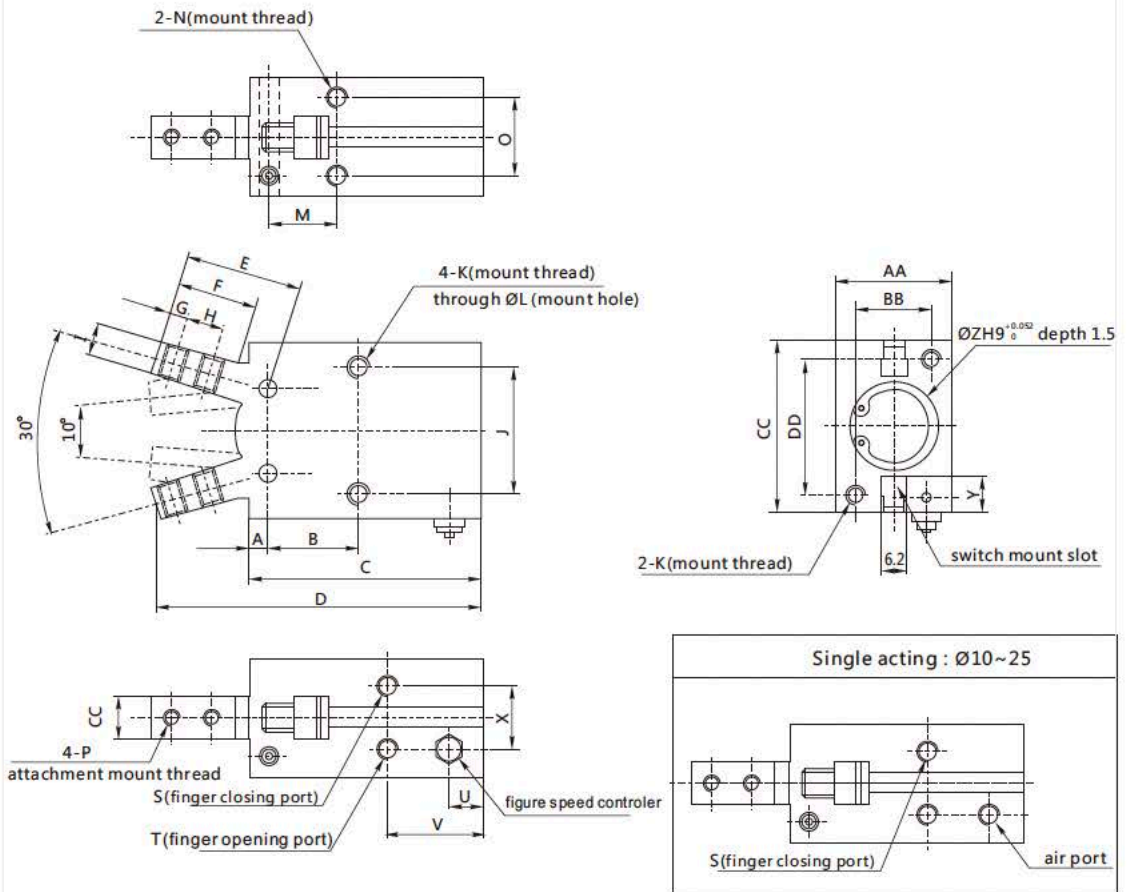
Action	Series	Bore mm	Gripping force (N. m)	Angle of open to close (both side)
Double acting	CHC2-10D	10	0.1	30°~-10°
	-16D	16	0.39	
	-20D	20	0.7	
	-25D	25	1.36	
Single acting	CHC2-10S	10	0.07	30°~-10°
	-16S	16	0.31	
	-20S	20	0.54	
	-25S	25	1.08	

## Ordering code



## ■ Dimensions ( mm )

Double acting  $\Phi 6 \sim \Phi 25$



Note: For single action, the port on one side is a breathing hole.

Bore (mm)	A	B	C	D	E	F	G	H	I	J	K	L	M	N	O	P	port size		U	V	W	X	Y	Z	AA	BB	CC	DD	EE
																	S	T											
6	4	6	29	41	16	11	2.5	5	2	12	M3X0.5 through	2.6	-	M2X0.4 depth 4	5	M2X0.4	M3X0.5	-	-	4	2.1	-	7	10	4	20	13.6	14	
10	2.8	12.8	38.6	52.4	17.2	12	3	5.7	4	16	M3X0.5 depth 5	2.6	8.8	M3X0.5 depth 6	11.4	M2.5X0.45	M3X0.5	7.2	18.8	6.4	10.4	5.4	11	16.4	12	23	18	10	
16	3.9	16.2	44.6	62.5	22.8	16	4	7	7	24	M4X0.7 depth 6	3.4	10.7	M4X0.7 depth 8	16	M3X0.5	M5X0.8	7	18.3	8	13	5.8	17	23.8	15	30.8	22	16	
20	4.5	21.7	55.2	78.7	28	20	5.2	9	8	30	M5X0.8 depth 10	4.3	15.7	M5X0.8 depth 8	18.8	M4X0.7	M5X0.8	7.5	22.2	10	15	9	21	27.8	18	42	32	20	
25	4.6	25.8	60.4	92	37.5	27	8	12	10	38	M6 depth 12	5.1	19.3	M6 depth 10	22	M5X0.8	M5X0.8	7.7	23.5	12	20	11.5	26	33.8	22	52	40	25	