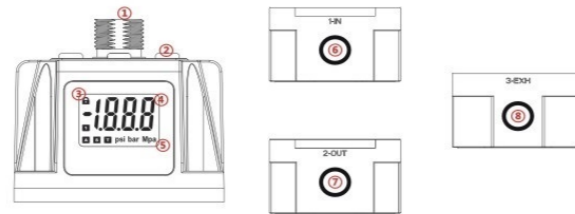


## EPV

### PANEL

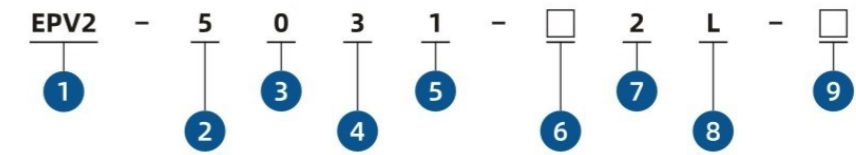


No	Name	No	Name
①	M12 aviation plug	⑤	Unit display
②	Water-proof key	⑥	Air supply port
③	Locking key	⑦	Air out port
④	Main display section	⑧	Air EXH port

### SPECIFICATION

Model	EPV1-1	EPV1-5	EPV1-5
Min. supply Pressure	set pressure + 0.1MPa		
Max. supply Pressure	0.2MPa	1.0MPa	
Set Pressure Range	0.005~0.1MPa	0.005~0.5MPa	0.005~0.9MPa
Power Supply	Voltage	DC : 24V±10%	
	Current	DC : 24V 0.12A or less	
Input Signal	Current Type	DC4~20mA, DC0~20mA	
	Voltage Type	DC0~5V, DC0~10V	
	Digital Signal	RS485-MODBUS	
Input Impedance	Current Type	250Ω or less	
	Voltage Type	Approx 6.5KΩ	
Output Signal	Analog Output	DC1-5V (load impedance : over 1KΩ) DC4-20mA (Load impedance : below 250Ω) Output precision within range of 1% F.S.	
	Switch Output	NPN-OC output type:30mA PNP-OC output type:30mA	
Nonlinear	0.5%F.S		
Hysteresis	0.5%F.S		
Repeatability	0.5%F.S		
Temperature Characteristic	2%F.S		
Display	Precision	2%F.S	
	Division	1000 division	
Ambient Temperature	0~50°C		
Protection Class	IP65		

### ORDERING CODE

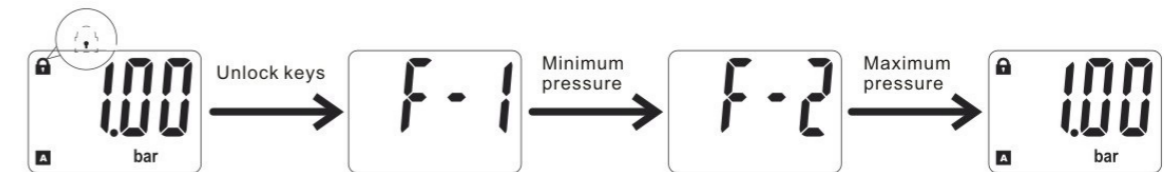


- 1. Model**  
EPV1  
EPV2  
EPV3
- 2. Range**  
1: 0.1MPa  
3: 0.5MPa  
5: 0.9MPa
- 3. Voltage**  
0: DC 24V
- 4. Input**  
0: Current DC 4-20mA  
1: Current DC 0-20mA  
2: Voltage DC 0-5V  
3: Voltage DC 0-10V
- 5. Output**  
1: Analog DC 1-5V  
2: Switch NPN output  
3: Switch PNP output  
4: Analog: DC4-20mA
- 6. Connection thread**  
BLANK : RC  
N : NPT  
T : NPTF  
F : G
- 7. Size**  
1: 1/8(1 type)  
2: 1/4(1,2,3 type)  
3: 3/8(2,3 type)  
4: 1/2 (3 type)
- 8. Cable connector**  
S: Straight 3m  
L: Right angle 3m  
N: no cable
- 9. Bracket**  
Blank: no bracket  
B: flat bracket  
C: L type bracket

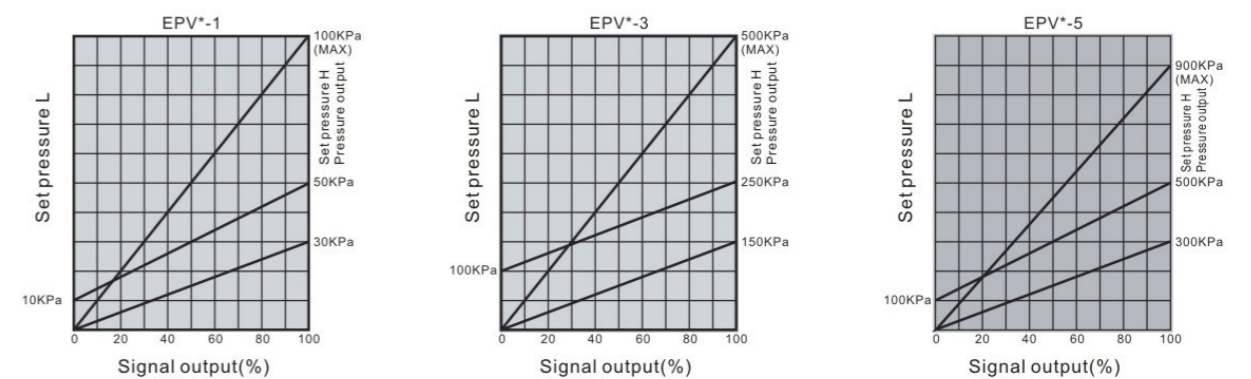
### WIRING METHOD



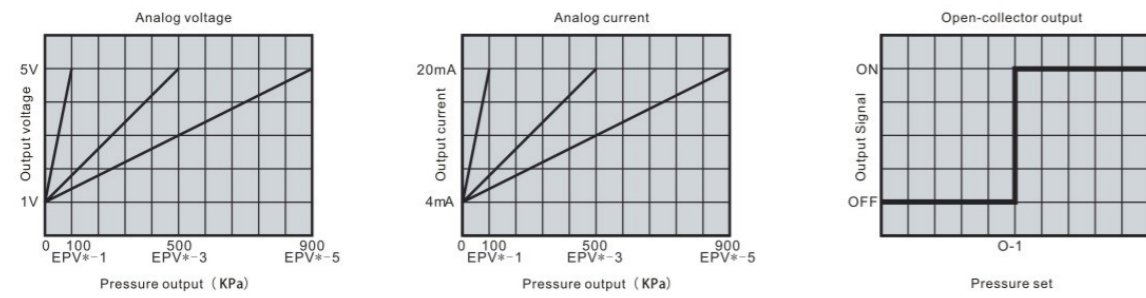
### SETTING METHOD



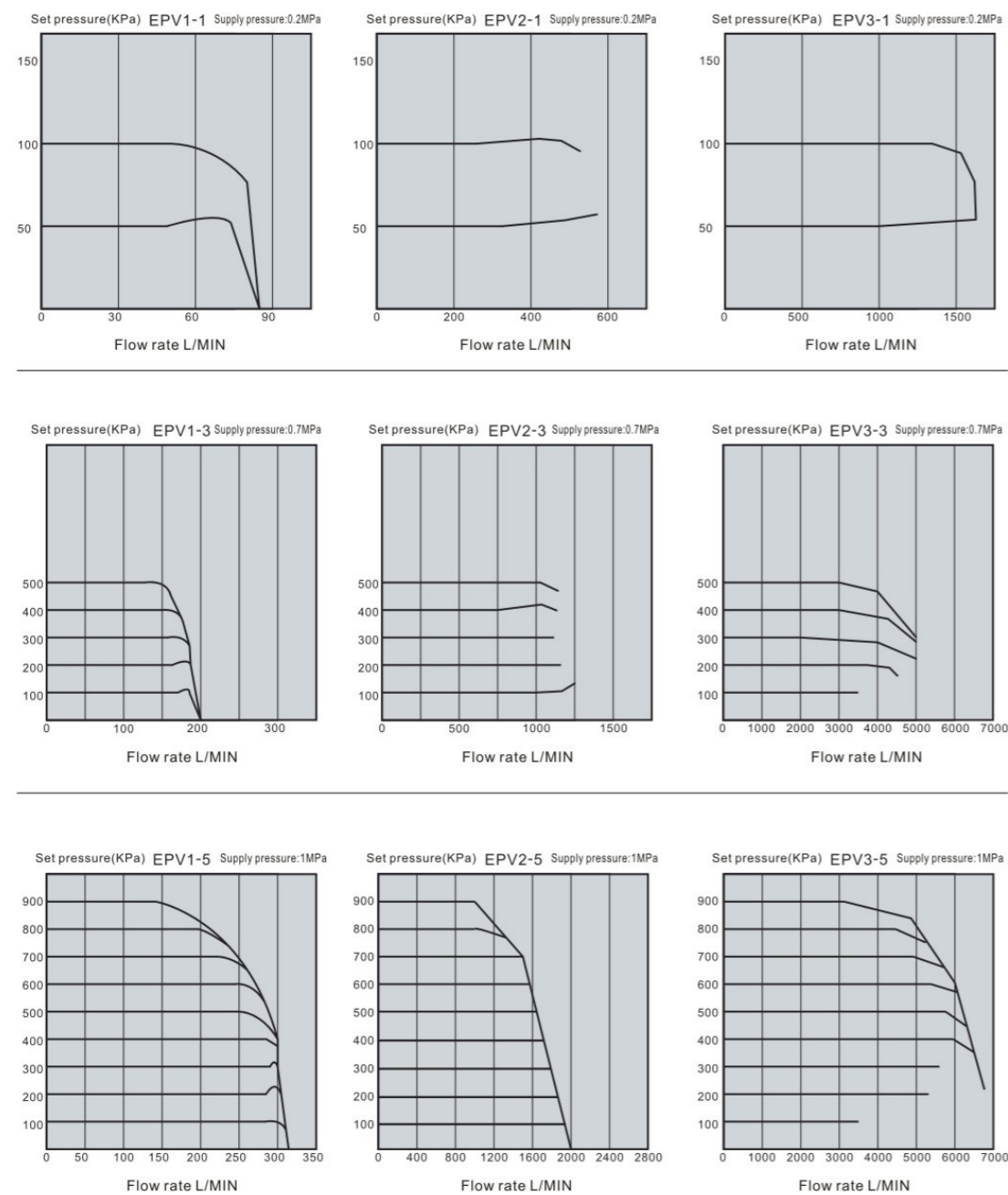
### PRESSURE OUTPUT SIGNAL INPUT



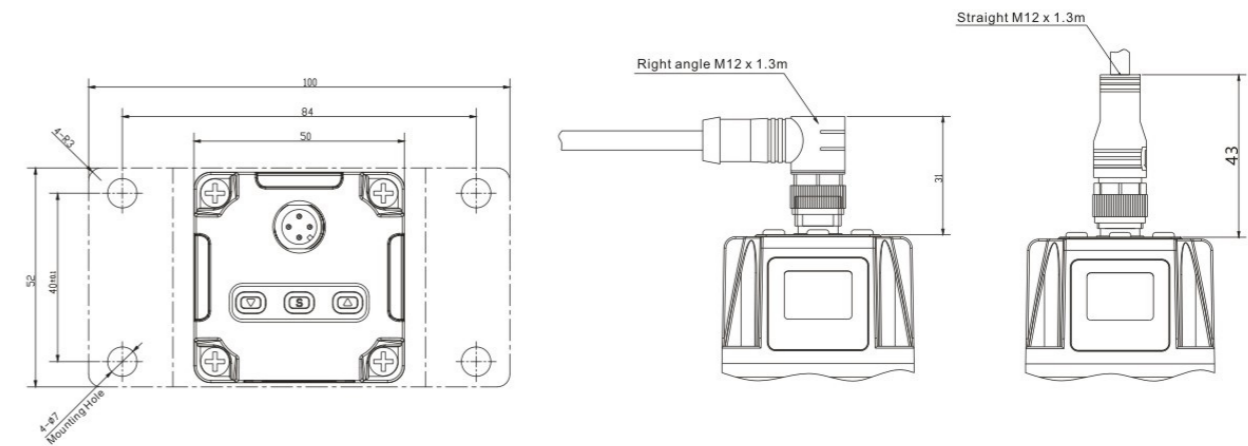
## ○ PRESSURE OUTPUT SIGNAL OUTPUT



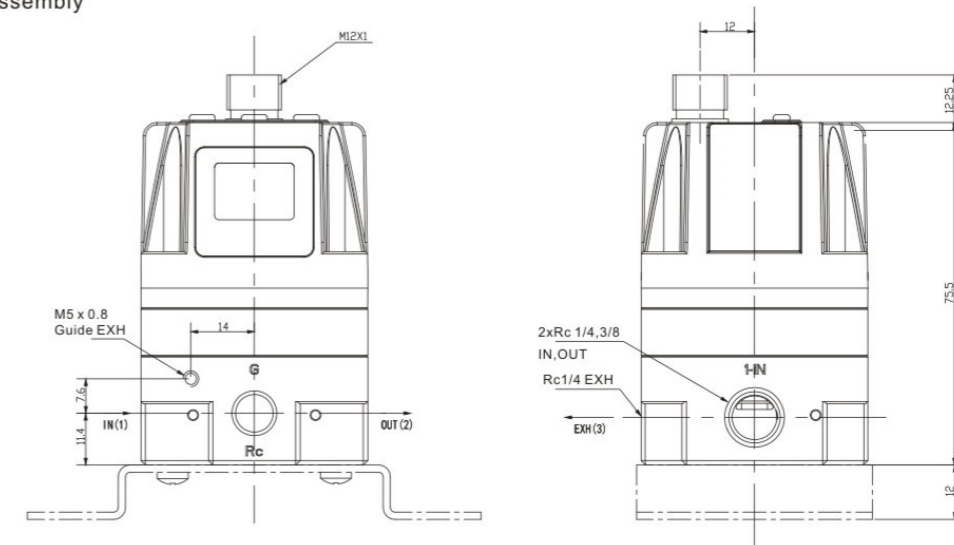
## ⇄ FLOW CHARACTERISTICS



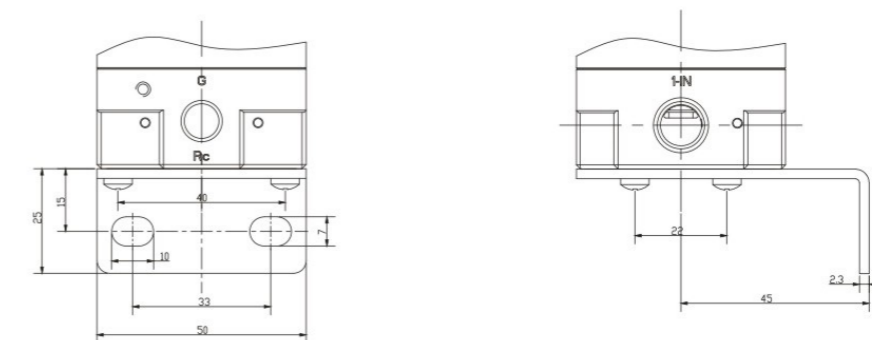
## ○ EPV1 DIMENSION (mm)



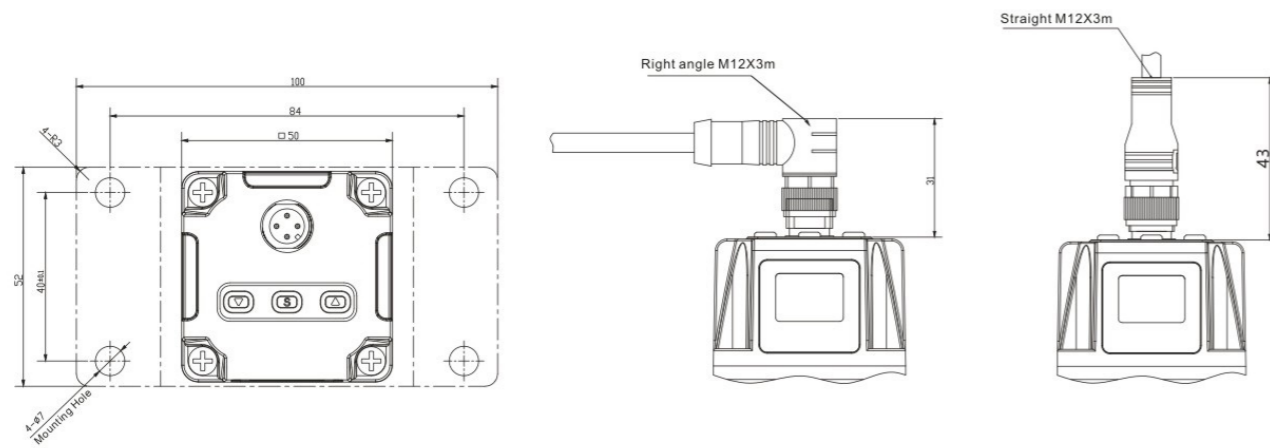
### Flat Bracket assembly



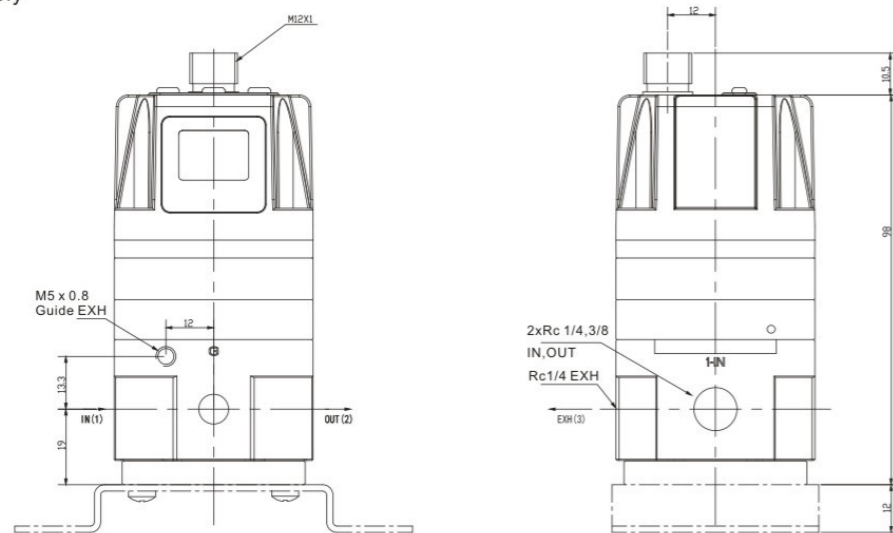
### L Bracket assembly



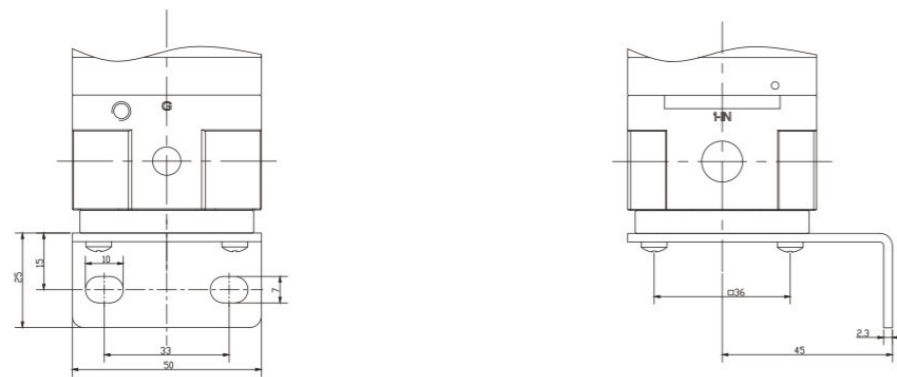
## EPV2 DIMENSION (mm)



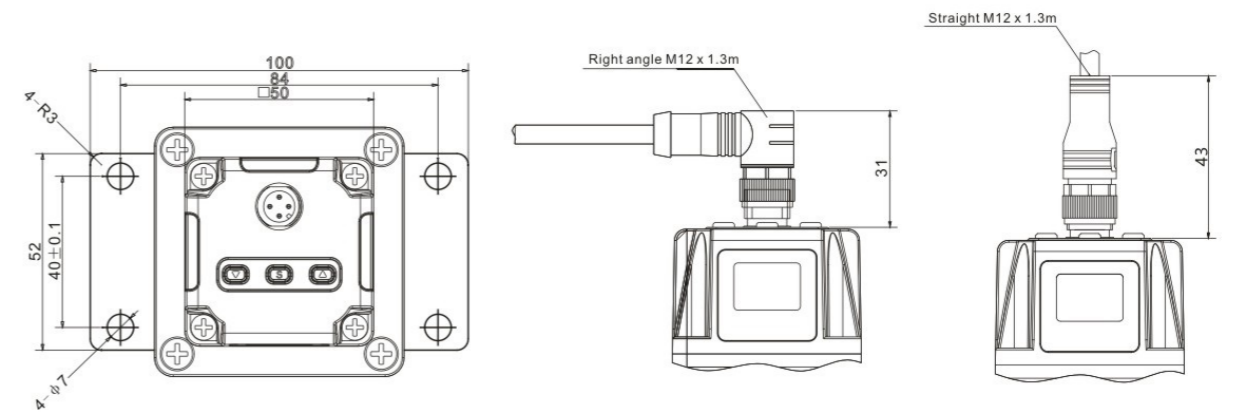
Flat Bracket assembly



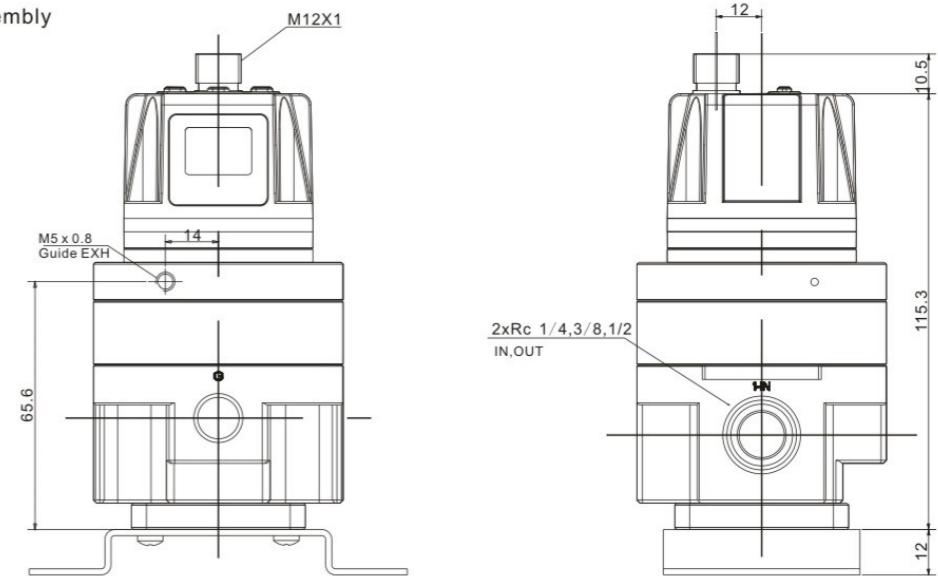
L Bracket assembly



## EPV3 DIMENSION (mm)



Flat Bracket assembly



L Bracket assembly

