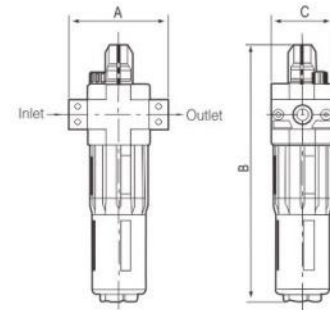


## LOE Series Lubricator



## Dimension ( mm )

Model	A	B	C
LOE -MIDI-02	85	208	55
LOE -MIDI-03			
LOE -MIDI-04			
LOE -MINI-01	64	169	40
LOE -MINI-02			
LOE -MINI-03			



## Symbol



## Technical Specification

Model	Port Size Rp(PT)	Max. Flow L/min(ANR)	Min.Flow L/min	Pressure Range MPa	Options/Description
LOE-MINI	01	1/8"	3	0.15~1.2	Ambient Temperature: -5~60°C(Not Frozen) Suggested Lubricating Oil: Turbine No. 1 Oil(ISO VG32)
	02	1/4"			
	03	3/8"			
LOE-MIDI	02	1/4"	8		
	03	3/8"			
	04	1/2"			