

## G Series Air filter



## Order Code

GF200 - 08 - □ - F - □ - □											
Series		Drain Mode		Pressure Gauge type		Filter Accuracy		Port Size			
GF200 series		Nil		F Square Gauge		Nil		Nil		PT Port	
GF300 series		D		C Round Gauge		40 μ M level		T		NPT Port	
GF400 series		Automatic Type		Semi-Automatic Type		5 μ M level		G		G Port	
Port Size											
06 PT1/8											
08 PT1/4											
10 PT3/8											
15 PT1/2											

## Symbol



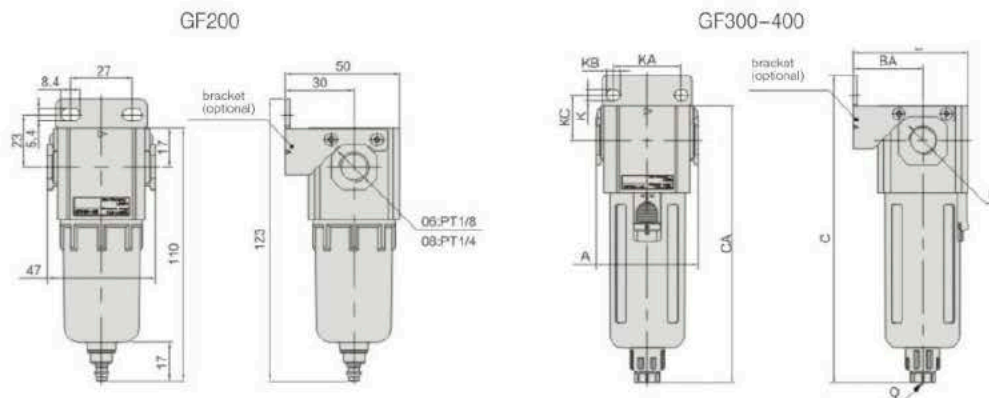
## Product feature

- 1.unique diversion structure spins the air flowing through to effectively separate the liquid from the air and reliably filter the solid grain
- 2.It has low pressure loss, high efficiency in separating water and large drain bowl capacity
- 3.Filtering grade includes 5um or 40um (optional)

## Technical Specification

Model	GF200-06	GF200-08	GF300-08	GF300-10	GF300-15	GF400-10	GF400-15
Working Medium	Air						
Port Size	PT1/8	PT1/4	PT1/4	PT3/8	PT1/2	PT3/8	PT1/2
Filter Precision	40 μ m or 5 μ m						
Pressure Range	Automatic and Semi-Automatic:0.15-0.9Mpa						
Proof Pressure	1.5Mpa						
Temperature Range	-5~60°C(Not Frozen)						
Water Cup Capacity	10CC			40CC			80CC
Weight(kg)	0.15kg			0.36kg			0.68kg

## Dimension(mm)



Model	A	B	BA	C	CA	K	KA	KB	KC	P	Q
GF300-08	60	67.5	41	182	164	6.5	40	8	27	PT1/4	G1/8
GF300-10	60	67.5	41	182	164	6.5	40	8	27	PT3/8	G1/8
GF300-15	60	67.5	41	182	164	6.5	40	8	27	PT1/2	G1/8
GF400-10	60	85.5	50	208	185	8.6	55	11	33.5	PT3/8	G1/4
GF400-15	60	85.8	50	208	185	8.6	55	11	33.5	PT1/2	G1/4