

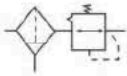
## G Series Air filter-regulator



### Order Code

GFR200 - 08 - □ - F - □ - □									
Series	Drain Mode		Pressure Gauge type		Filter Accuracy		Port Size		
GFR200 series	Nil	Semi-Automatic Type	F	Square Gauge	Nil	40 μ M level	Nil	PT Port	
GFR300 series	D	Automatic Type	C	Round Gauge	W	5 μ M level	T	NPT Port	
GFR400 series							G	G Port	
	Port Size								
	06 PT1/8								
	08 PT1/4								
	10 PT3/8								
	15 PT1/2								

### Symbol



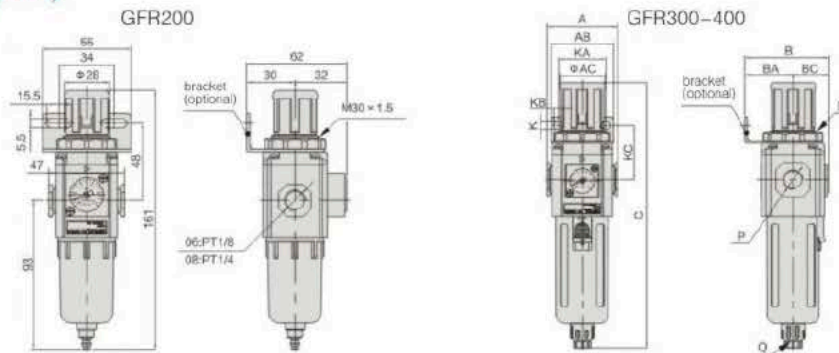
### Product feature

- 1.Embedded square pressure gauge is used to save installation space.
- 2.The pressed-in self-locking mechanism can prevent the abnormal movement of the set pressure caused by external interfere.
- 3.Balanced design is adopted for the pressure adjustment mechanism .
- 4.The filtering grade includes 5um and 40 um (optional).

### Technical Specification

Model	GFR200-06	GFR200-08	GFR300-08	GFR300-10	GFR300-15	GFR400-10	GFR400-15
Working Medium	Air						
Port Size	PT1/8	PT1/4	PT1/4	PT3/8	PT1/2	PT3/8	PT1/2
Filter Precision	40 μ m Or 5 μ m						
Pressure Range	Automatic and Semi-Automatic:0.15-0.9Mpa						
Proof Pressure	1.5Mpa						
Temperature Range	-5-60°C(Not Frozen)						
Water Cup Capacity	10CC		40CC			80CC	
Weight(kg)	0.32kg		0.62kg			1.20kg	

### Dimension(mm)



Model	A	AB	AC	B	BA	BC	C	D	K	KA	KB	KC	P	Q
GFR300-08	60	53	38	72	41	31	225.5	M40x1.5	6.5	40	8	46	PT1/4	G1/8
GFR300-10	60	53	38	72	41	31	225.5	M40x1.5	6.5	40	8	46	PT3/8	G1/8
GFR300-15	60	53	38	72	41	31	225.5	M40x1.5	6.5	40	8	46	PT1/2	G1/8
GFR400-10	80	72	52	90	50	40	266	M55x2.0	6.5	52	11	53	PT3/8	G1/4
GFR400-15	80	72	52	90	50	40	266	M55x2.0	8.5	52	11	53	PT1/2	G1/4