

G Series Air Regulator



Order Code

GR200 - 08 - □ - F - □ - □																		
Series	GR200 series	GR300 series	GR400 series	Port Size	06 PT1/8	08 PT1/4	10 PT3/8	15 PT1/2	Pressure Gauge type	F Square Gauge	C Round Gauge	Filter Accuracy	Nil 40 μM level	W 5 μM level	Port Size	Nil PT Port	T NPT Port	G G Port
				Drain Mode	Nil	Semi-Automatic Type	Automatic Type											

Symbol



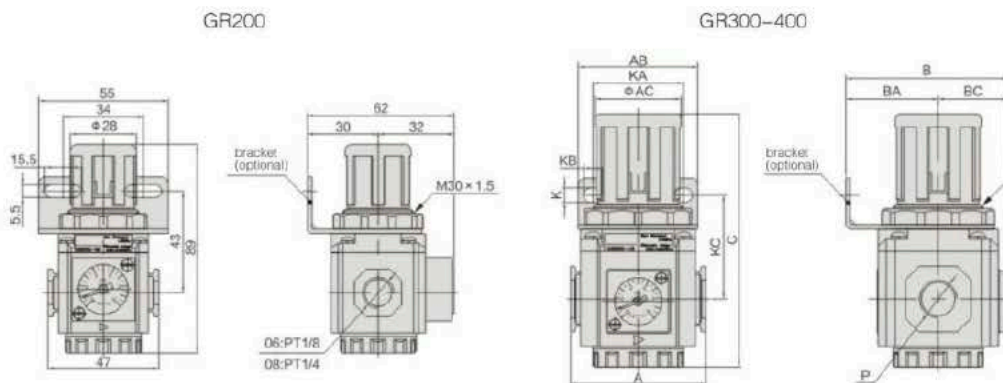
Product feature

1. Embedded square pressure gauge is used to save installation space.
2. The pressed-in self-locking mechanism can prevent the abnormal movement of the set pressure caused by external interfere.
3. Balanced design is adopted for the pressure adjustment mechanism

Technical Specification

Model	GR200-06	GR200-08	GR300-08	GR300-10	GR300-15	GR400-10	GR400-15
Working Medium	Air						
Port Size	PT1/8	PT1/4	PT1/4	PT3/8	PT1/2	PT3/8	PT1/2
Pressure Range	0.05-0.9Mpa						
Proof Pressure	1.5Mpa						
Temperature Range	-5-60°C(Not Frozen)						
Weight(kg)	0.26kg		0.45kg			0.80kg	

Dimension(mm)



Model	A	AB	AC	B	BA	BC	C	D	K	KA	KB	KC	P
GR300-08	60	53	38	72	41	31	114	M40x1.5	6.5	40	8	46	PT1/4
GR300-10	60	53	38	72	41	31	114	M40x1.5	6.5	40	8	46	PT3/8
GR300-15	60	53	38	72	41	31	114	M40x1.5	6.5	40	8	46	PT1/2
GR400-10	80	72	52	90	50	40	140.5	M55x2.2	8.5	55	11	53	PT3/8
GR400-15	80	72	52	90	50	40	140.5	M55x2.2	8.5	55	11	53	PT1/2