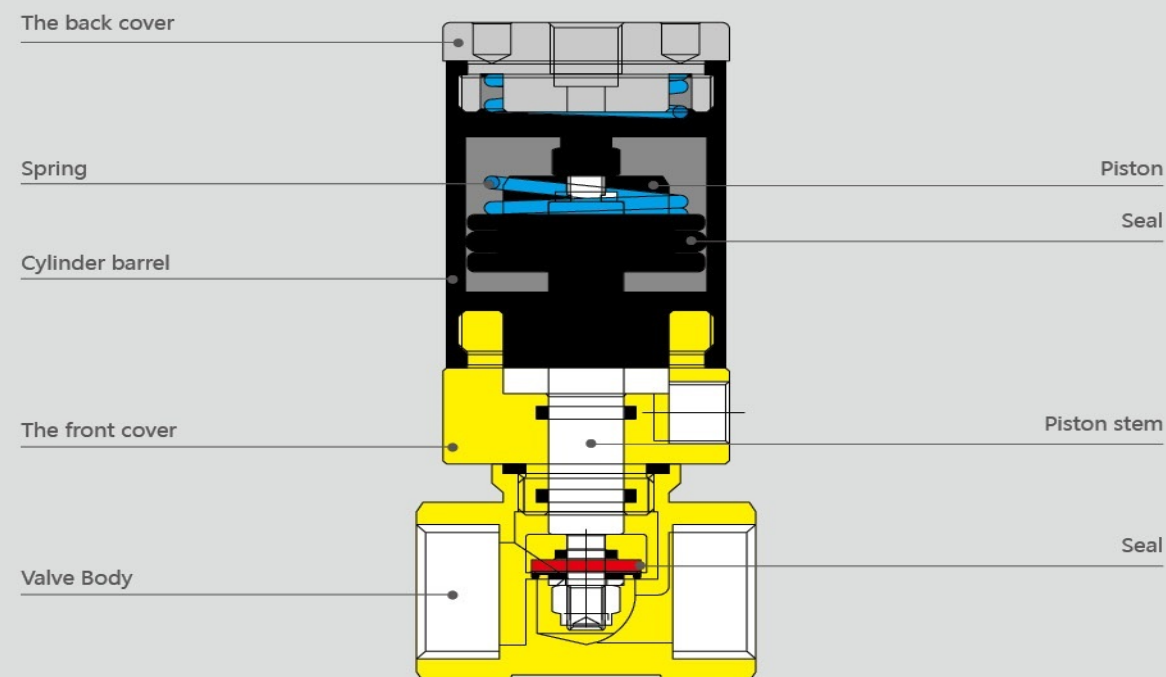
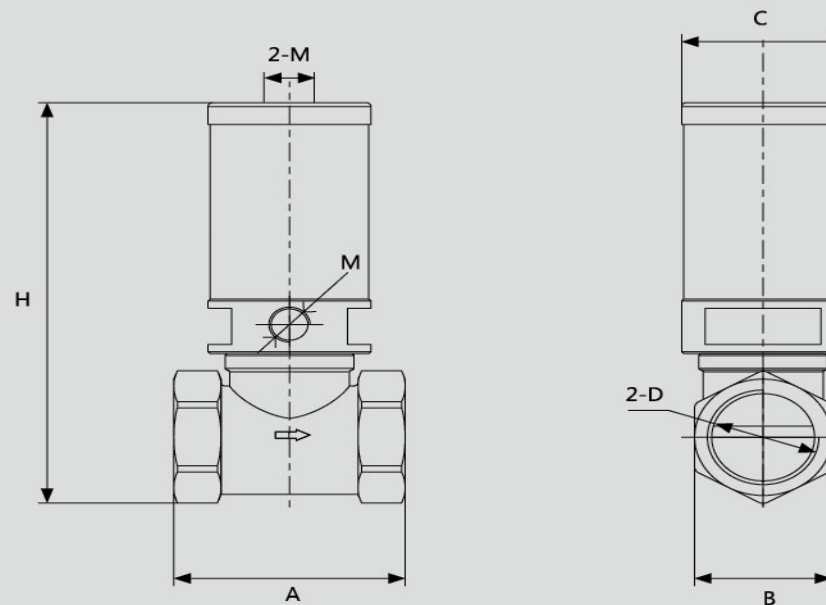


Piston Valves - SS316

Pneumatic control valve

Features

Can work at low pressure, smartness for on and
There are many types of structure single acting and
double acting control, etc structure single acting type
and double acting type. Application: food, medicine,
industry, abstersion, landification, printing, etc.



Model	A	B	C	2-D	H	M
RQ22HD-15	45	25	37	G1/2"	89.5	G1/8"
RQ22HD-20	50	31	37	G3/4"	109	G1/8"
RQ22HD-25	64.5	38	37	G1"	118	G1/8"
RQ22HD-40	80	53	55	G1-1/2"	162	G1/8"
RQ22HD-50	99.5	65	78	G1/8"	179	G1/4"

Model	Orifice	Media	Working pressure	Control pressure	Temp range	Kv value (m ³ /k)
RQ22HD-15	13mm	Compress Air Water Oil	0-0.8MPa	0.4-0.8MPa	-5~80°C -20~150°C (High temp)	4
RQ22HD-20	16mm					5
RQ22HD-25	22mm					10
RQ22HD-40	35mm					25
RQ22HD-50	45mm					40