



### Production feature

Thin double housing structure, high non-rotating accuracy and 2 times output force, side resistance load.

Symbol



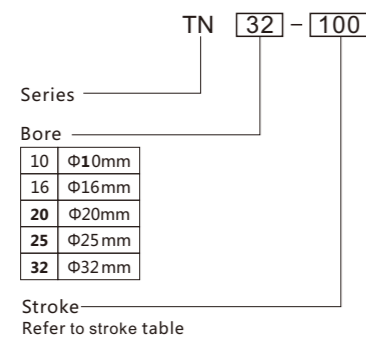
### Specification

Bore size	10	16	20	25	32
Action	Double acting				
Fluid	Compressed air				
Pressure range	0.15~1.0MPa		0.1~1.0MPa		
Proof pressure	1.5MPa				
Temp. range	-10~60°C				
Speed range	30~500mm/s				
Stroke adjusted range	-10~0mm				
Cushion	Rubber bumper on both ends				
Non-rotating accuracy	±0.40		±0.30		
Port size	M5X0.8				Rc1/8
Code of S/K	CXM10-R1	CXM16-R1	CXM20-R1	CXM25-R1	CXM32-R1

### Stroke/Auto switch type

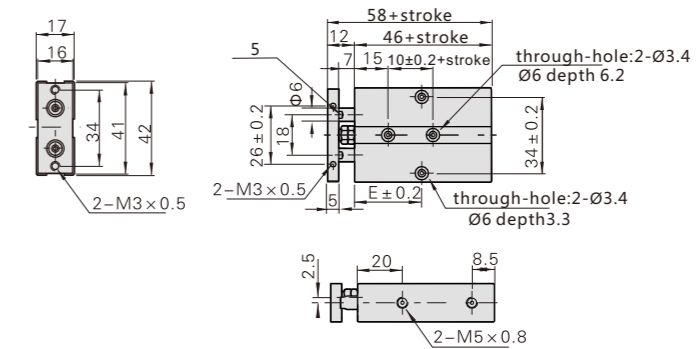
Bore (mm)	Standard stroke (mm)	Max.	Switch model
10	10 20 30 40 50 60 70 80 90 100	100	KTX-11R KTX-11P
16	10 20 30 40 50 60 70 80 90 100 125 150 175 200	200	
20	10 20 30 40 50 60 70 80 90 100 125 150 175 200	200	
25	10 20 30 40 50 60 70 80 90 100 125 150 175 200	200	
32	10 20 30 40 50 60 70 80 90 100 125 150 175 200	200	

### Ordering code



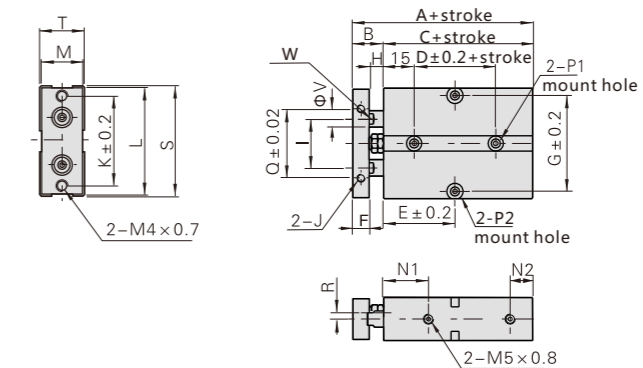
### Dimensions (mm)

TN10



Stroke	10	20	30	40	50	60	70	80	90	100
E	30	30	35	40	45	50	55	60	65	70

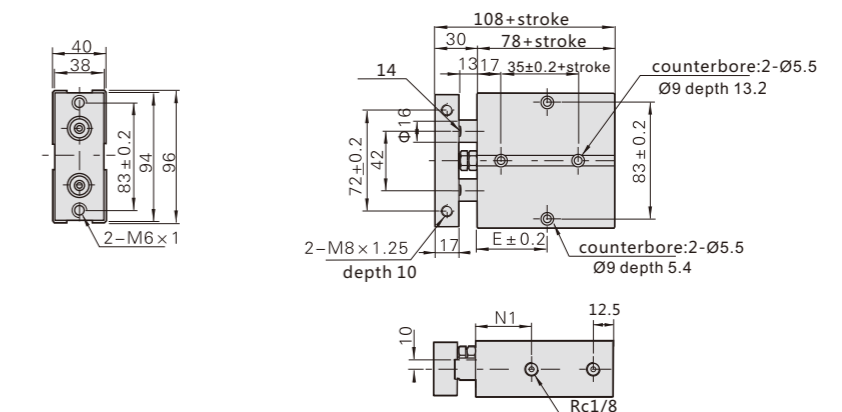
TN16~25



Bore	A				E															F	G	H	I	K
	10	20	30	40	10	20	30	40	50	60	70	80	90	100	125	150	175	200						
16	68	15	53	20	30	35	40	45	50	55	60	65	70	75	87.5	100	112.5	125	8	47	7	24	47	
20	78	20	58	20	35	35	40	45	50	55	60	65	70	75	87.5	100	112.5	125	10	55	10	28	55	
25	81	19	62	30	40	40	45	50	55	60	65	70	75	80	92.5	105	117.5	130	10	66	9	34	66	

Bore	J	L	M	N1	N2	P1	P2	Q	R	S	T	V	W
16	M4X0.7 depth 5	53	20	22	9	Counterbore Ø7.5 depth 7.2 through-hole Ø4.5	Counterbore Ø8 depth 4.5 through-hole Ø4.5	34	3	54	21	8	6
20	M4X0.7 depth 5	61	24	25	11	Counterbore Ø7.5 depth 7.2 through-hole Ø4.5	Counterbore Ø8 depth 4.5 through-hole Ø4.5	44	3.5	62	25	10	8
25	M4X0.7 depth 6	72	29	27	11	Counterbore Ø7.5 depth 7.2 through-hole Ø4.5	Counterbore Ø8 depth 4.5 through-hole Ø4.5	56	6	73	30	12	10

TN32



Stroke	10	20	30	40	50	60	70	80	90	100	125	150	175	200
E	45	50	55	60	65	70	75	80	85	90	102.5	115	127.5	140
N1	35	40												