



Symbol



2position 5port



3position close center



3position exhaust center

## ■ Specification

code	function	port	diameter(mm)	CV	fluid	pressure range	action	lubrication	fluid temp.
VMB252-01	2position 5port	Rc1/8	4.5	0.86	air	0 ~ 1.0MPa	hand control	no need	-5 ~ 60°C
VMB252-02		Rc1/4	4.5	0.86					
VMB253-03		Rc3/8	7	2.08					
VMB254-04		Rc1/2	8.5	3.07					
VMB352-01	3position 5port	Rc1/8	4	0.68					
VMB352-02		Rc1/4	4.5	0.86					
VMB353-03		Rc3/8	5.5	1.29					
VMB354-04		Rc1/2	7	2.08					

## ■ Ordering code

VMB 25 2-02 - C

function

25	2position 5port
35	3position 5port

working typ

Nil	2position
C	close center
E	exhaust center

body size

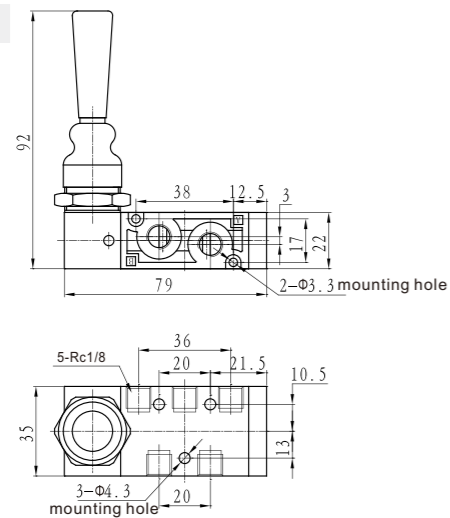
2	1/4body
3	3/8body
4	1/2body

port size

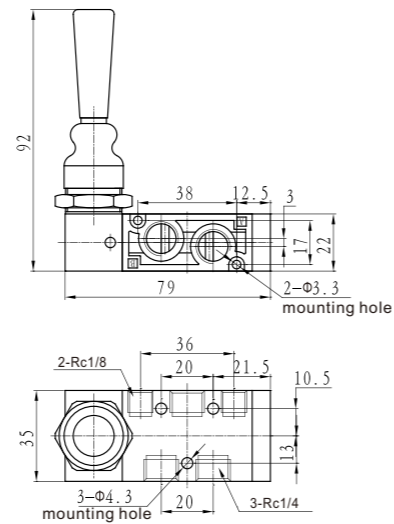
01	Rc1/8
02	Rc1/4
03	Rc3/8
04	Rc1/2

## ■ Dimensions ( mm )

VMB252-01

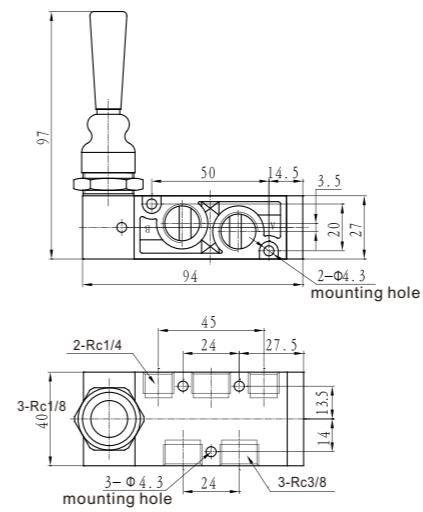


VMB252-02

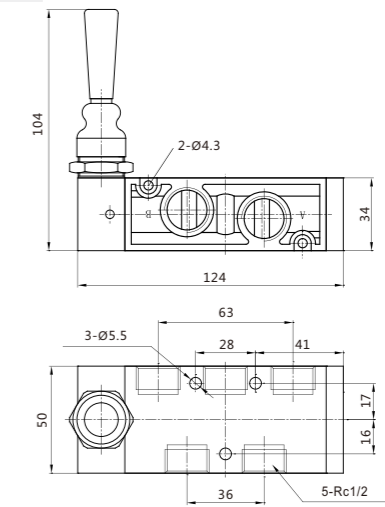


## ■ Dimensions ( mm )

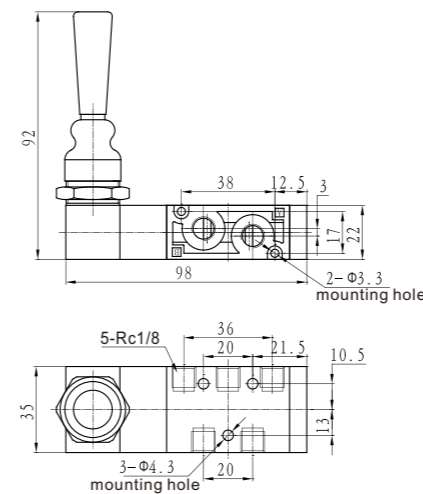
VMB253-03



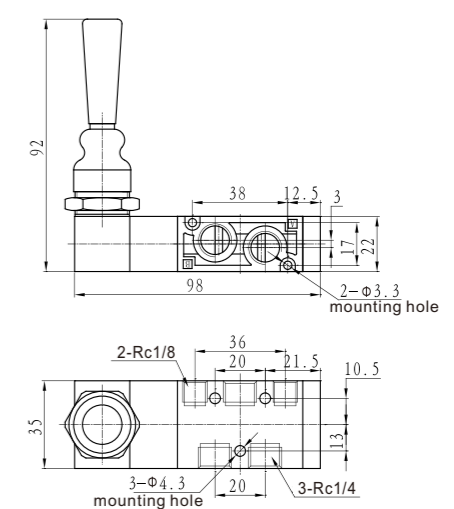
VMB254-04



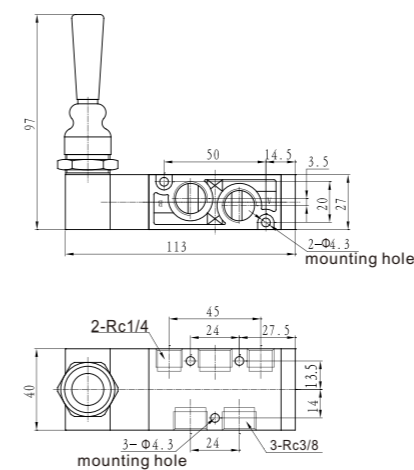
VMB352-01



VMB352-02



VMB353-03



VMB354-04

