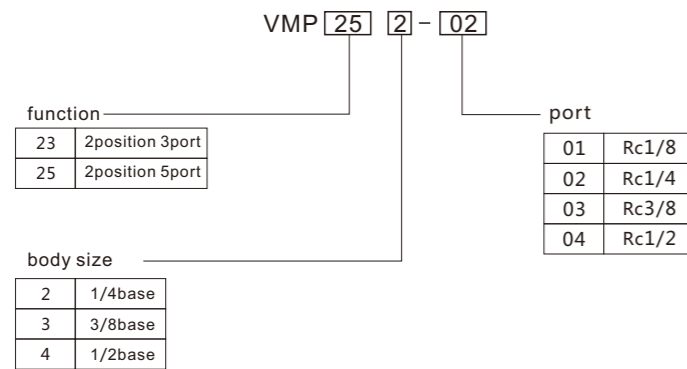


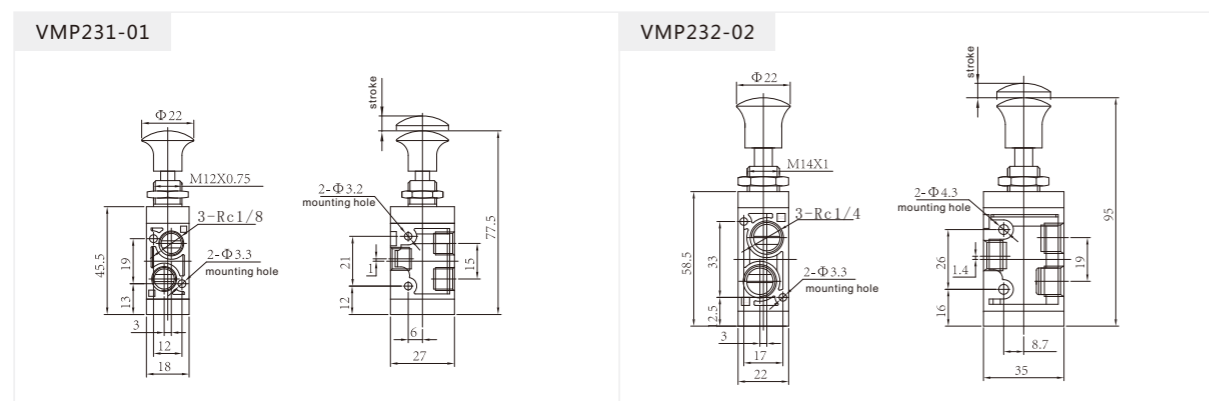
Specifications

code	function	port	diameter(mm)	CV	fluid	pressure range	action	lubrication	fluid temp.
VMP231-01	2position 3port	Rc1/8	4	0.68	air	0 ~ 1.0MPa	hand control	no need	-5 ~ 60°C
VMP232-02		Rc1/4	4.5	0.68					
VMP233-03		Rc3/8	6.5	1.80					
VMP234-04	2position 5port	Rc1/2	8	2.72	air	0 ~ 1.0MPa	hand control	no need	-5 ~ 60°C
VMP251-01		Rc1/8	4.5	0.68					
VMP252-02		Rc1/4	5	1.06					
VMP253-03		Rc3/8	7	2.08					
VMP254-04	Rc1/2	8.5	3.07						

Ordering code



Dimensions (mm)



Dimensions (mm)

