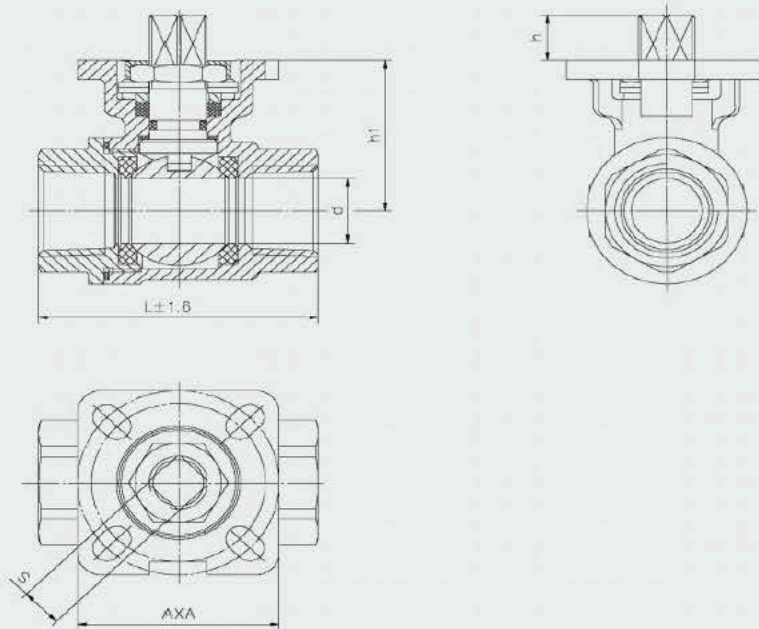


Pneumatic Ball Valve-SS304

Pneumatic Female Thread 2-part Ball Valve

Features

- Screw type: NPT, BSPT, BSP
ISO-228 Class A Thread
- Temperature range: PTFE: -20 °C ~ +150 °C
PPL: -20 °C ~ +200 °C
- Suitable medium: water, oil, air and some corrosive liquid
- Nominal pressure : PN16,PN25,PN40,1000PSI (PN63) for 1/2" -4"
- Anti roll stem
- Locking device
- Material: CF8M (DIN 1.4408),
CF8 (DIN 1.4308),
WCB (DIN 1.0619)
(WCB, CF8, CF8M/I, Ti, Ni)



MODEL	INCH	DN	d	L	h	h1	E	d1	d2	R1	R2	A	S	ACTUATOR
RBVP11-2-15	1/2"	15	15	59	10.5	35	125	36.5	42.5	3	3	42	9	RAT052DA
RBVP11-2-20	3/4"	20	20	66	10.7	39	125	36.5	42.5	3	3	42	9	RAT052DA
RBVP11-2-25	1"	25	25	80	11	46	135	42.5	50.5	3	3.5	50	11	RAT052DA
RBVP11-2-32	1-1/4"	32	32	90	11.5	52	150	42.5	50.5	3	3.5	50	11	RAT063DA
RBVP11-2-40	1-1/2"	40	38	103	17	63	160	50	70	3.5	4.5	70	14	RAT075DA
RBVP11-2-50	2"	50	49	117	17	73.5	180	50	70	3.5	4.5	70	14	RAT083DA
RBVP11-2-65	2-1/2"	65	64	147	20	94.5	260	70	102	4.5	5.5	96	17	RAT092DA
RBVP11-2-80	3"	80	76	169	20	103.5	260	70	102	4.5	5.5	96	17	RAT105DA
RBVP11-2-100	4"	100	98	204	22.5	122	300	70	102	4.5	5.5	96	19	RAT125DA