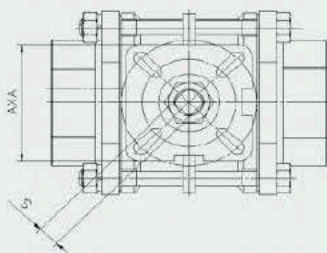
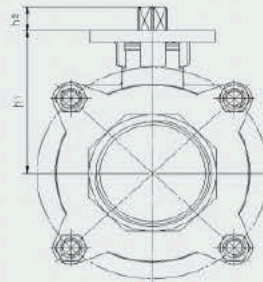
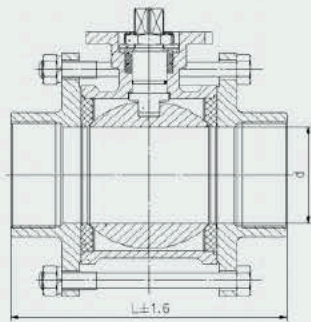


Pneumatic Female Thread 3-part Ball Valve

Features

- Screw type: NPT, BSPT, BSP
ISO-228 Class A Thread
- Temperature range: PTFE: -20 °C ~ +150 °C
PPL: -20 °C ~ +200 °C
- Suitable medium: water, oil, air and some corrosive liquid
- Nominal pressure: 1000PSI (PN63) For 1/2" to 4"
- Blowout proof stem
- Locking device
- Material: CF8M (DIN 1.4408),
CF8 (DIN 1.4308),
WCB (DIN 1.0619)
(WCB: CF8, CF8M/Ti, Ti, Ni)



MODEL	INCH	DN	d	L	h1	h2	ISO5211	A	S	ACTUATOR
RBVP11-3-15	1/2"	15	15	75	39	10.5	F03/F04	42	9	RAT052DA
RBVP11-3-20	3/4"	20	20	80	44	10.5	F03/F04	42	9	RAT052DA
RBVP11-3-25	1"	25	25	90	52	11	F04/F05	50	11	RAT052DA
RBVP11-3-32	1-1/4"	32	32	110	56	11.5	F04/F05	50	11	RAT063DA
RBVP11-3-40	1-1/2"	40	38	120	65	17	F05/F07	70	14	RAT075DA
RBVP11-3-50	2"	50	49	140	75	17	F05/F07	70	14	RAT083DA
RBVP11-3-65	2-1/2"	65	64	177	105.5	19.5	F07/F10	95	17	RAT092DA
RBVP11-3-80	3"	80	80	209	118	19.5	F07/F10	95	17	RAT105DA
RBVP11-3-100	4"	100	100	267	141	20	F07/F10	96	19	RAT125DA