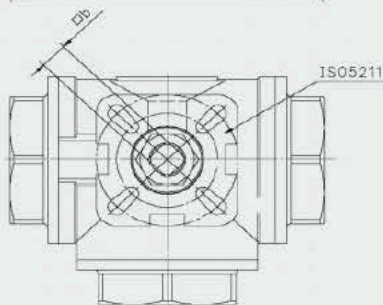
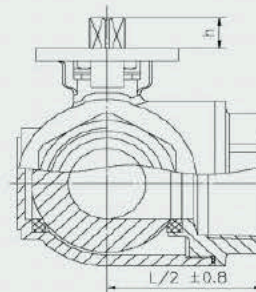
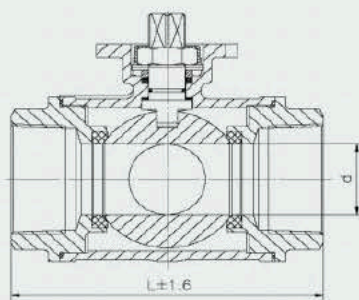


Pneumatic 3-Way Ball Valve

Features

- Nominal pressure : PN 1.6,2.5,4.0,6.4MPa
- Strength test pressure; PT 2.4,3.8,6.0, 9.6MPa
- Sealed test pressure (low pressure): 0.6MPa
- Seal test pressure (pressure): 1.8,2.8,4.4, -7.1M pa
- Suitable medium: Suitable medium: water, oil, gas, nitric acid, acetic acid
- Suitable temperature: PTFE : -20 °C ~ +150 °C
PPL: -20 °C ~ +200 °C

(WCB, CF8, CF8M/I, Ti, Ni)



MODEL	INCH	DN	d	L	h	b	ISO5211	ACTUATOR
RBVP14-15	1/2"	15	12	72	8.5	9	F03/F04	RAT052DA
RBVP14-20	3/4"	20	15	82	9.5	9	F03/F04	RAT052DA
RBVP14-25	1"	25	18	90	11	11	F04/F05	RAT052DA
RBVP14-32	1-1/4"	32	25	128	12	11	F04/F05	RAT063DA
RBVP14-40	1-1/2"	40	32	137	16.5	14	F05/F07	RAT075DA
RBVP14-50	2"	50	38	154	16.5	14	F05/F07	RAT083DA
RBVP14-65	2-1/2"	65	48	185	20	17	F07/F10	RAT092DA
RBVP14-80	3"	80	55	212	20	17	F07/F10	RAT105DA
RBVP14-100	4"	100	74	254	22.5	19	F07/F10	RAT125DA