

## WPMT - Hidrolik EI Pompası / WPMT- Hydraulic Hand Pump



### Sipariş Kodu / Ordering Code

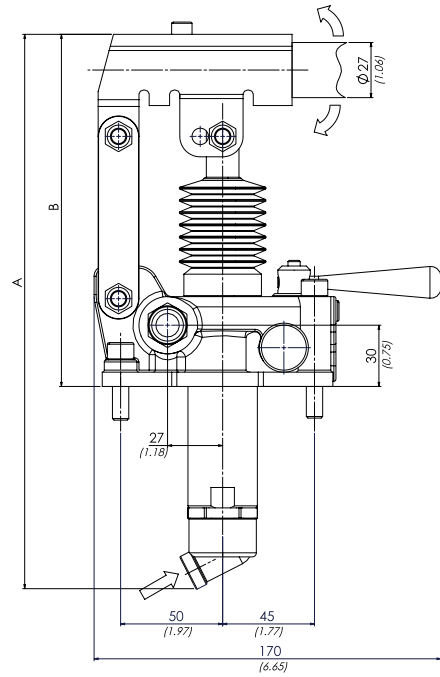
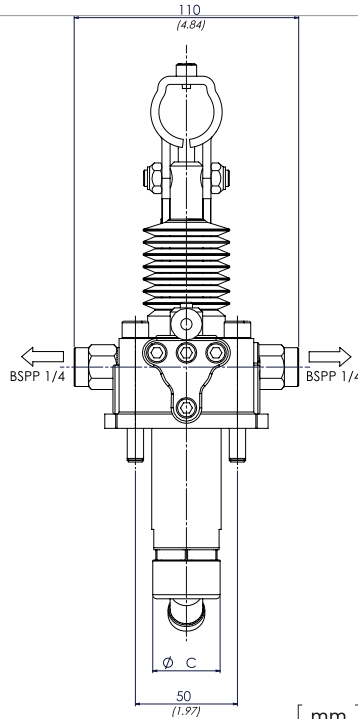
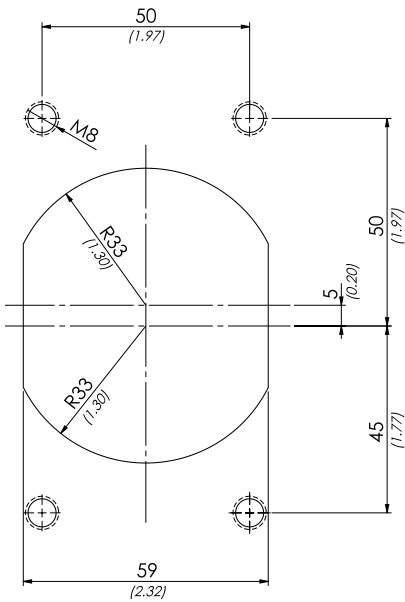
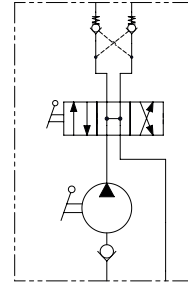
POMPA A MANO DOPPIO POMPAGGIO					
DOUBLE PUMPING HAND PUMP WITH CHECK VALVES FOR DOUBLE ACTING CYLINDER					
01	CILINDRATA DISPLACEMENT	mm - inch			PMT
		A	B	C	
02	6 cm <sup>3</sup> (0.37 in <sup>3</sup> )	253 (9.96)	166 (6.54)	34 (1.34)	6
	12 cm <sup>3</sup> (0.73 in <sup>3</sup> )	253 (9.96)	166 (6.54)	34 (1.34)	12
	25 cm <sup>3</sup> (1.53 in <sup>3</sup> )	273 (10.75)	172 (6.77)	34 (1.34)	25
	45 cm <sup>3</sup> (2.75 in <sup>3</sup> )	283 (11.14)	172 (6.77)	40 (1.57)	45
03	OPTIONAL	- Without rubber protection			
		- With rubber protection			P
04	OPTIONAL	With relief valves on A and B			RVAB
		With relief valves on B			RVB

### Teknik Data / Technical Data

### HYDRAULIC CIRCUIT

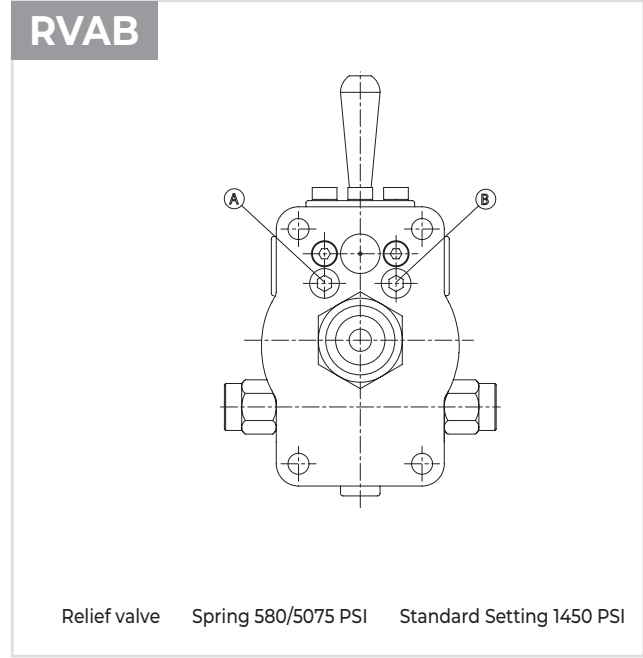
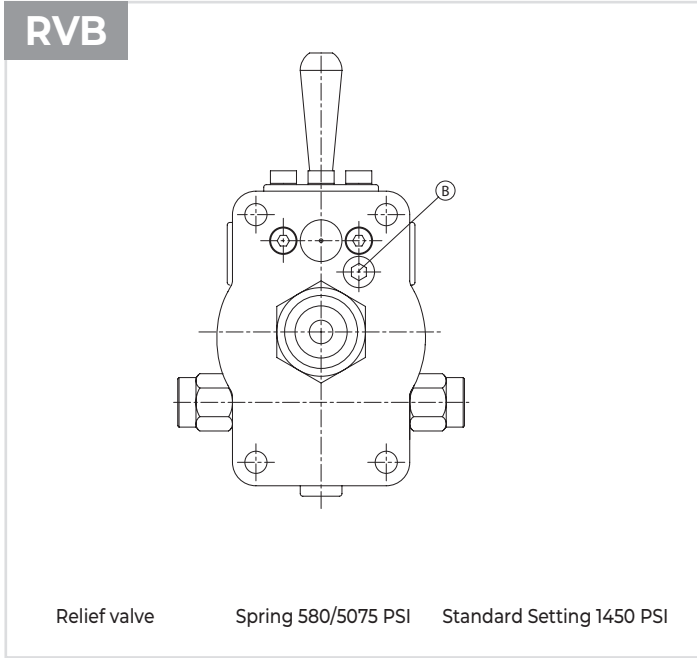
Mineral oil	<b>ISO 6743/4 (DIN 51524)</b>
Oil viscosity	<b>15-250 mm<sup>2</sup>/s (15 to 250 cSt)</b>
Max contamination index	<b>ISO 4406:1999 Classe 19/17/14</b>
Oil temperature	<b>-20°C +80°C -4°F +176°F</b>
Environment temperature	<b>-20°C +50°C -4°F +122°F</b>

A filter into the hydraulic circuit necessary to protect the valve (advised filtration 15 µm)



mm  
(Inches)

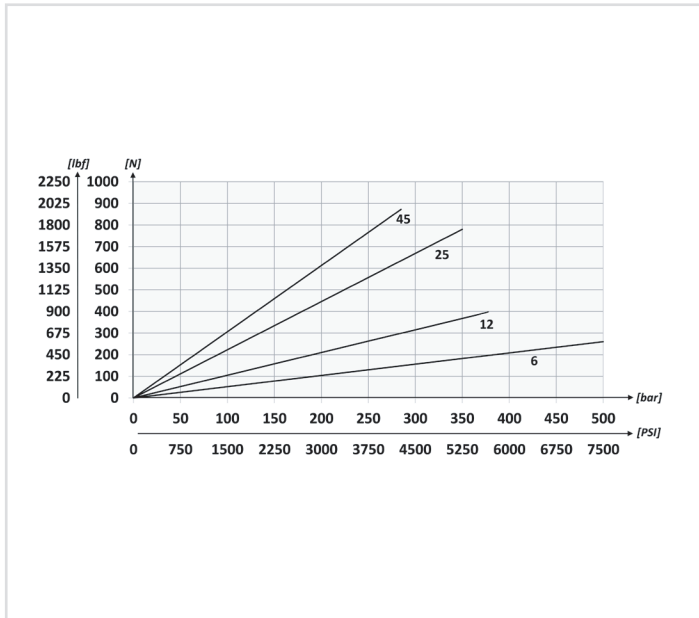
**WPMT - Hidrolik El Pompası / WPMT- Hydraulic Hand Pump**



Teknik Data / Technical Data

**TECHNICAL CHARACTERISTICS**

**EFFORT OPERATING AT THE END OF THE LEVER**



TYPE	OPTIMAL PRESSURE bar-PSI	MAX PRESSURE bar-PSI	APPROX WEIGHT kg-lbt
<b>PMT6</b>	<b>420</b> (6090)	<b>500</b> (7250)	<b>4,20</b> (9.25)
<b>PMT12</b>	<b>220</b> (3190)	<b>380</b> (5510)	
<b>PMT25</b>	<b>120</b> (1740)	<b>350</b> (5075)	
<b>PMT45</b>	<b>80</b> (1160)	<b>280</b> (4060)	